



Raychem JBL-100-G / JBL-100-R

To be used with approved junction boxes such as JBM-100-L, JBS-100-L, JBU-100-L. Only to be used on WAGO terminals 284 series. For further information contact Pentair Thermal Management.

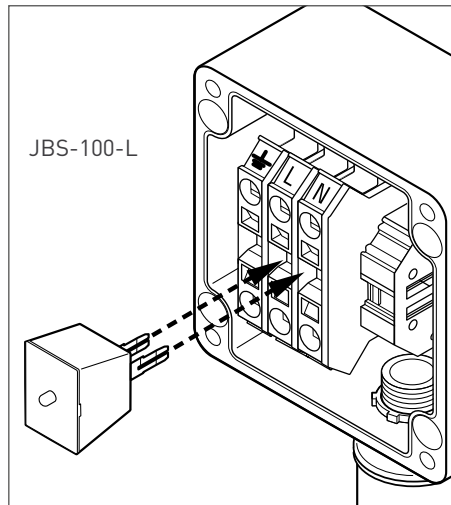
Zum Einbau in zugelassene Anschlußkästen, wie z.B. JBM-100-L, JBS-100-L, JBU-100-L. Montage nur auf Klemmen WAGO 284 series. Für weitere Informationen setzen Sie sich mit Pentair Thermal Management in Verbindung.

A n'installer que dans des boîtes de raccordement approuvées telles que JBM-100-L, JBS-100-L, JBU-100-L. Ne s'installe qu'avec des bornes WAGO série 284. Pour de plus amples informations sur l'application contactez Pentair Thermal Management.

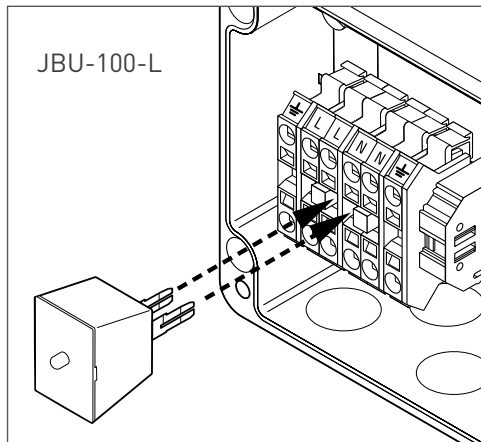
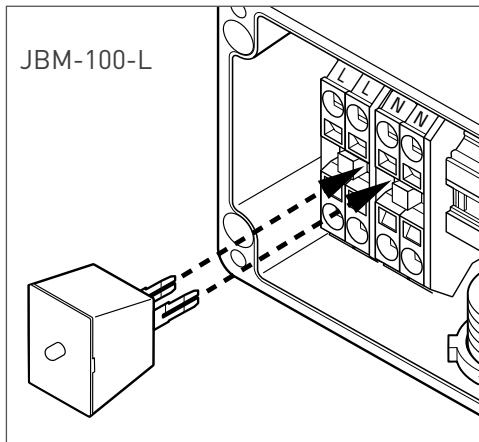
AC 100-277 V-40 ... 80°C
Max 3.8 W T 6



II 2 G Ex mb e IIC Gb
PTB 99 ATEX 2096 U



*Only applicable for JBL-100-R
Ne s'applique que pour JBL-100-R
Nur geeignet für JBL-100-R



Manufacturer / Hersteller / Fabricant: Pentair Thermal Management, 300 Constitution Drive M/S 110/2A, Menlo Park, CA 94025-1164.



WWW.THERMAL.PENTAIR.COM

All Pentair trademarks and logos are owned by Pentair or its global affiliates. Pentair reserves the right to change specifications without prior notice.

© 2013 Pentair All Rights Reserved.

THERMAL MANAGEMENT SOLUTIONS

ML-RaychemJBL100X-IM-INSTALL056 R2