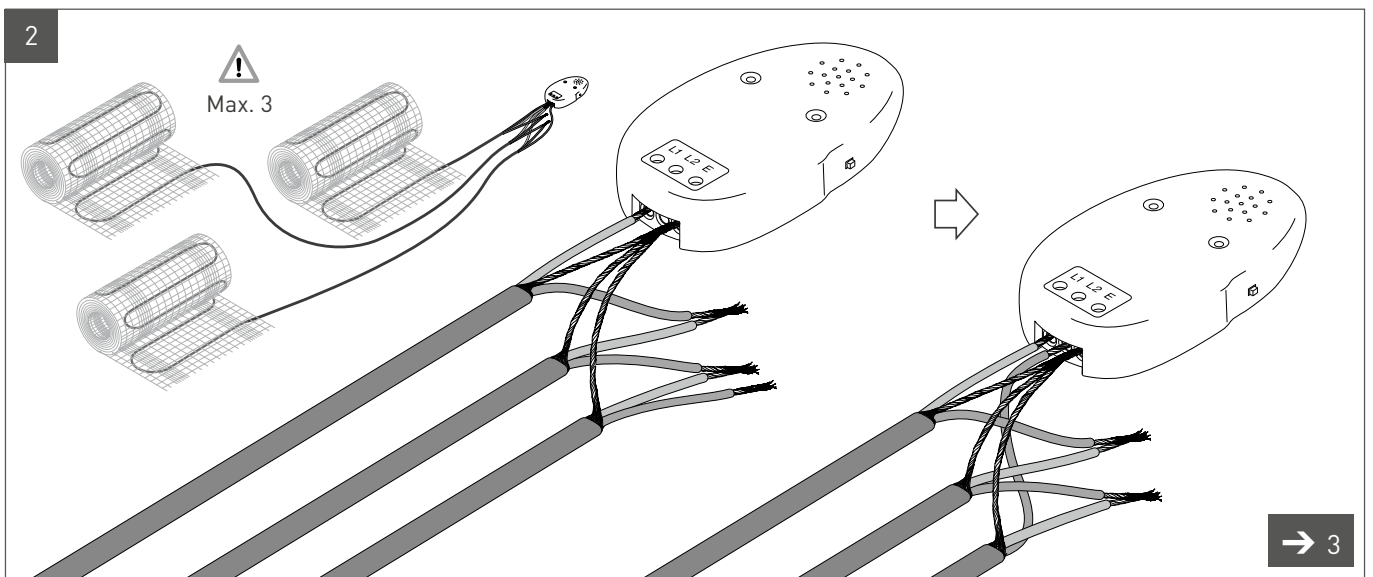
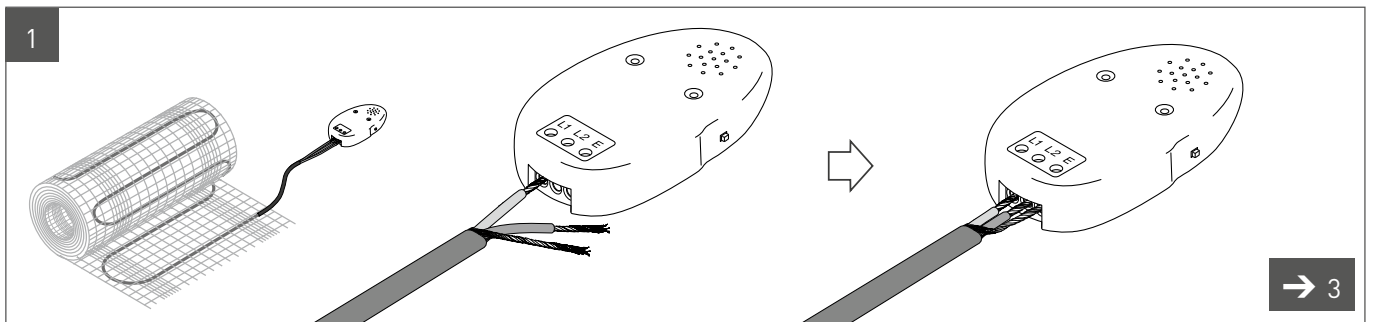
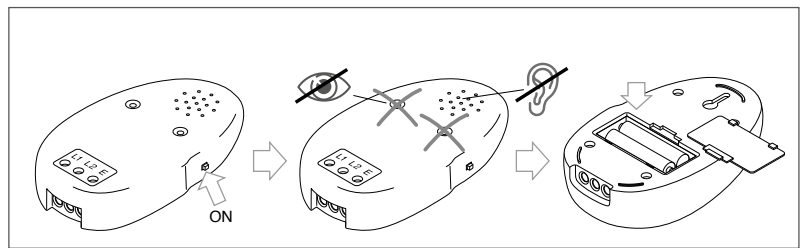
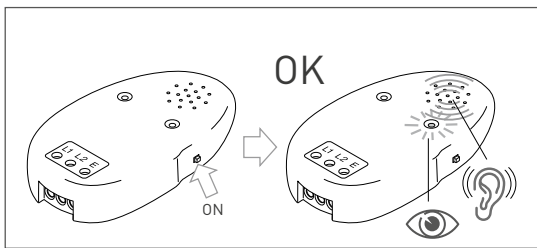
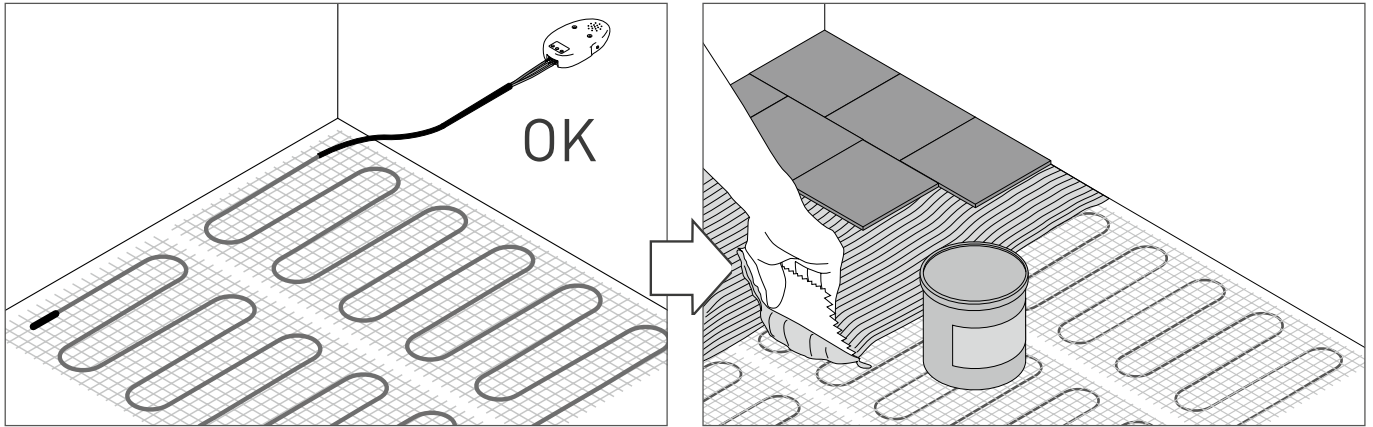
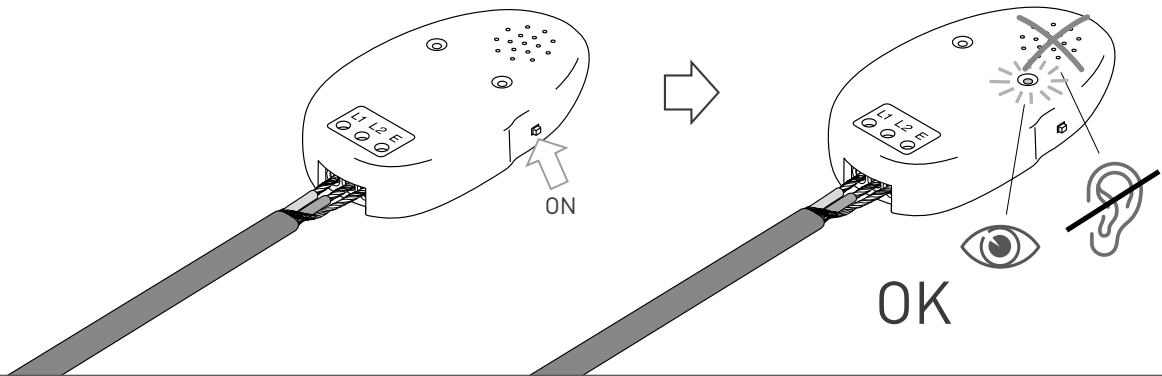


Raychem Cable Fault Monitor

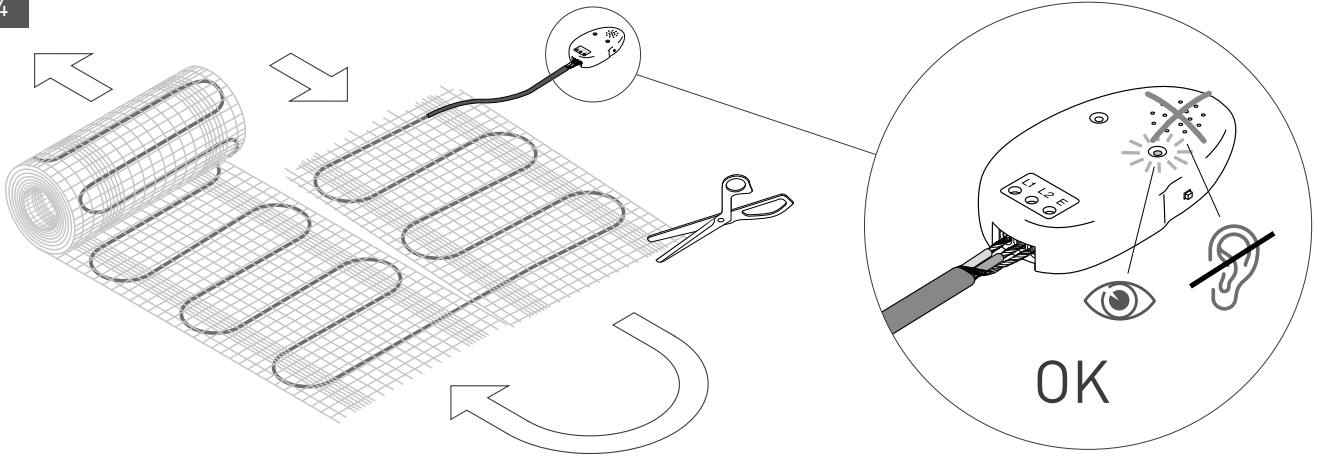
CDE-CFM-RAYCHEM - CDE-CFM-T2
 INSTALLATION INSTRUCTION



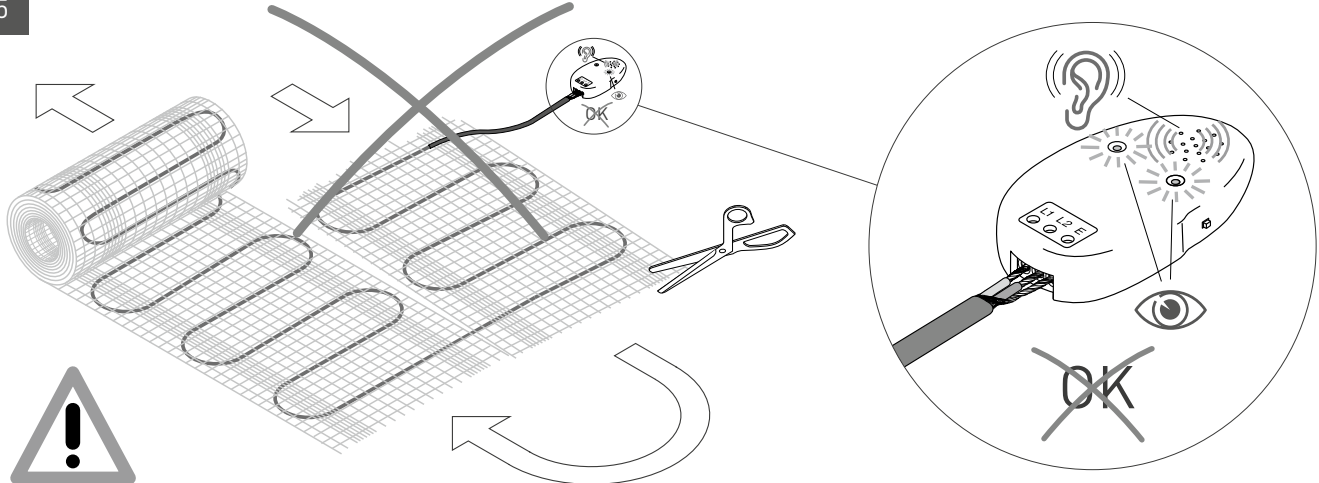
3



4



5



WWW.THERMAL.PENTAIR.COM

EUROPE, MIDDLE EAST, AFRICA (EMEA)

Tel: +32 16 213 511
Fax: +32 16 213 603
ptm-info@pentair.com

All Pentair trademarks and logos are owned by Pentair or its global affiliates. Pentair reserves the right to change specifications without prior notice.

© 2013 Pentair.