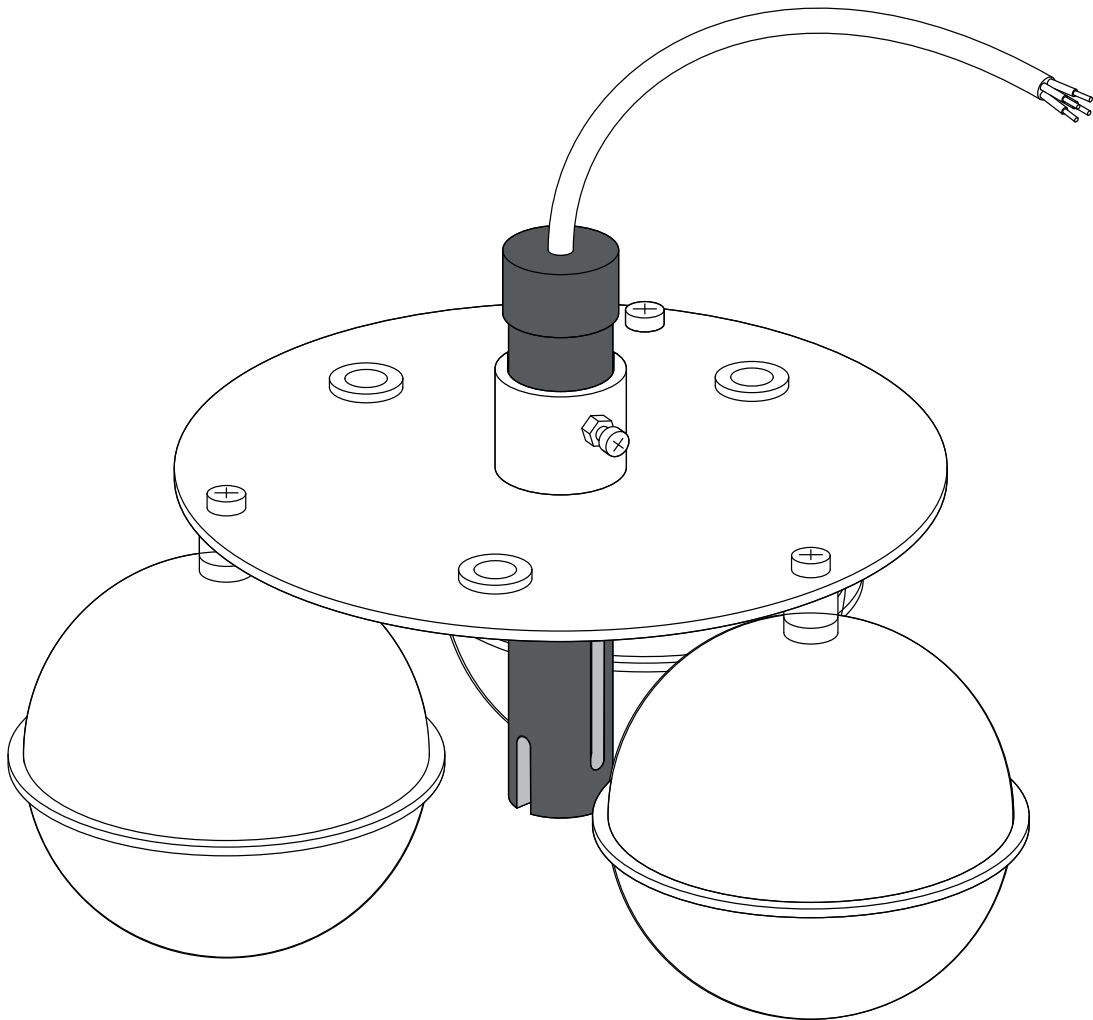


**TraceTek** Fast Fuel Sensor and Float Assembly

INSTALLATION INSTRUCTIONS

Before this product is put into use, be sure to read these instructions and become thoroughly acquainted with its contents in order to install and use this product correctly.



## INTRODUCTION

This document explains the procedure for installing the Fast Fuel Sensor, float assembly (part numbers 1244- 004251 FLOAT-ASS-1M-LC-G1 and 1244-004252 FLOAT-ASS-2M-LC-G2) and associated wiring in order.

Be sure to carefully read this document in order to become thoroughly acquainted with its contents before installation.

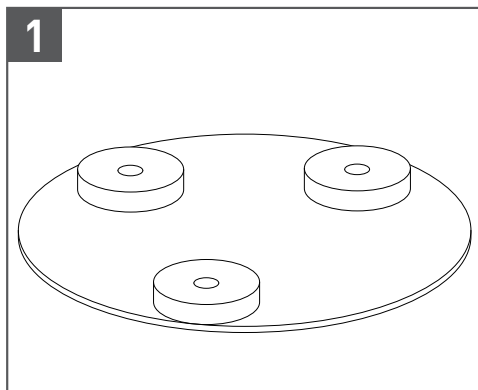
It should be noted that, should this product be installed without observing the contents described in this document, our company cannot be responsible for problems caused by it.

## GENERAL DESCRIPTION

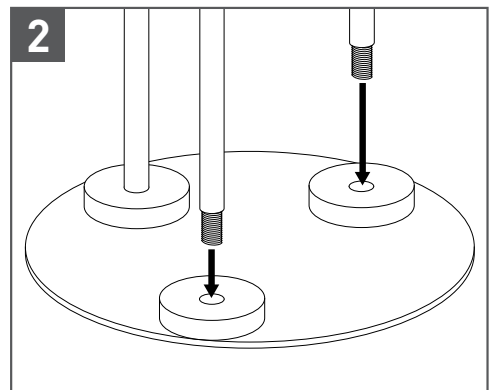
The Fast Fuel Sensor is an oil leakage detector capable of detecting oil leakage, that is to be installed at the pit inside the oil retaining wall of a tank or at the drainage pit near a pump yard. Accidents and destruction of the environment due to oil leakage as well as social loss caused thereby will be contained to the minimum level.

When the oil leakage detecting sensor of the Leak Catcher detects oil leakage, an alarm or an alarm contact will be output from the connected monitor.

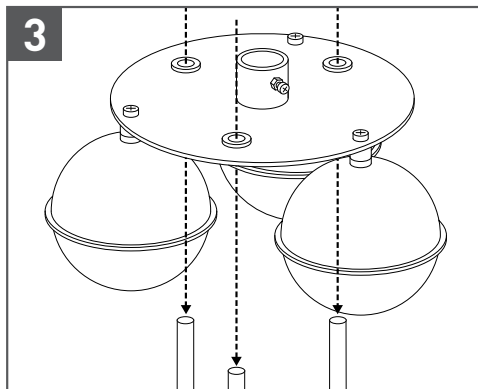
## ASSEMBLY INSTRUCTIONS



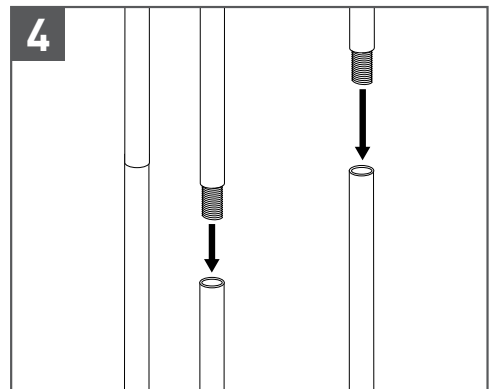
1 Place the bottom plate on the ground.



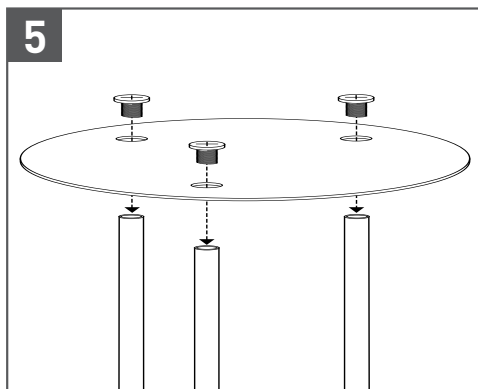
2 PScrew the three rods into the bottom plate.



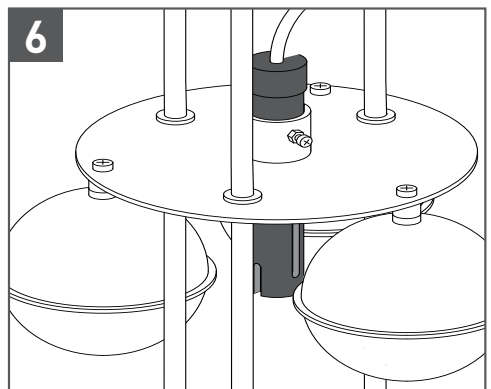
3 Position the floating balls with mounting plate over the rods.



4 Screw the upper rods to the lower tubes (for 2 metre versions).

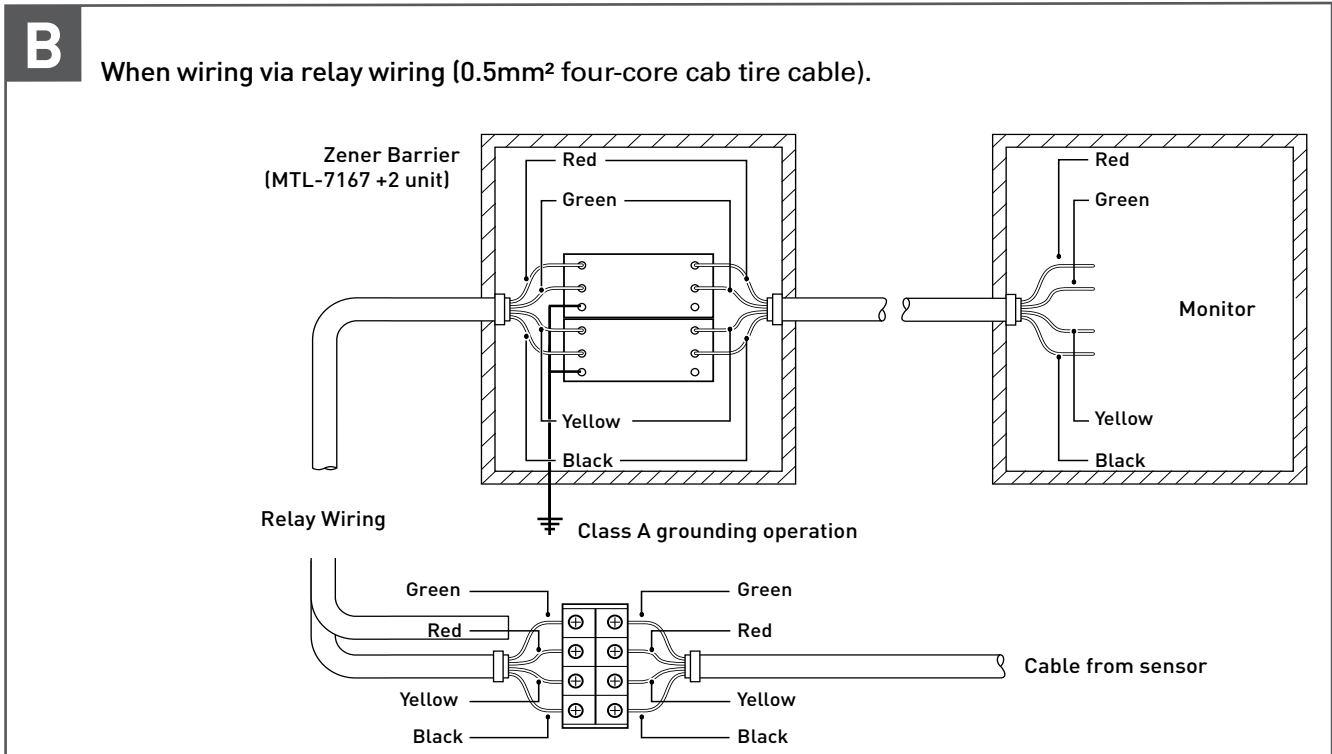
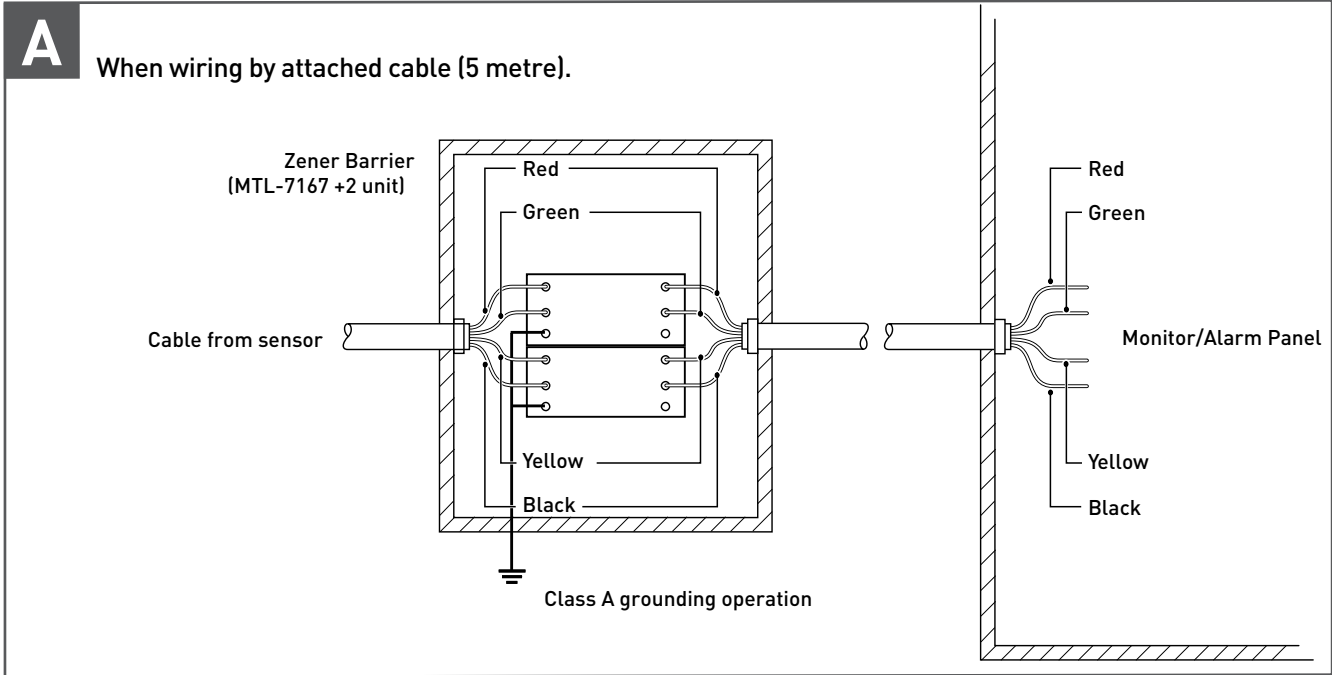


5 Place the top plate with the shining side up and fix it with the 3 screws.



6 Install the FFS sensor into the floating construction.

WIRING DIAGRAMS FOR ATTACHING THE FAST FUEL SENSOR TO A MONITOR / ALARM PANEL



**BELGIË / BELGIQUE**

Tel. +32 16 21 35 02  
Fax +32 16 21 36 04  
salesbelux@pentair.com

**BULGARIA**

Tel./fax +359 56 86 68 86  
fax +359 56 86 68 86  
salesee@pentair.com

**ČESKÁ REPUBLIKA**

Tel. +420 241 009 215  
Fax +420 241 009 219  
czechinfo@pentair.com

**DANMARK**

Tel. +45 70 11 04 00  
Fax +45 70 11 04 01  
salesdk@pentair.com

**DEUTSCHLAND**

Tel. 0800 1818205  
Fax 0800 1818204  
salesde@pentair.com

**ESPAÑA**

Tel. +34 902 125 307  
Fax +34 91 640 29 90  
ptm-sales-es@pentair.com

**FRANCE**

Tél. 0800 906045  
Fax 0800 906003  
salesfr@pentair.com

**HRVATSKA**

Tel. +385 1 605 01 88  
Fax +385 1 605 01 88  
salesee@pentair.com

**ITALIA**

Tel. +39 02 577 61 51  
Fax +39 02 577 61 55 28  
salesit@pentair.com

**LIETUVA/LATVIJA/EESTI**

Tel. +370 5 2136633  
Fax +370 5 2330084  
info.baltic@pentair.com

**MAGYARORSZÁG**

Tel. +36 1 253 7617  
Fax +36 1 253 7618  
saleshu@pentair.com

**NEDERLAND**

Tel. 0800 0224978  
Fax 0800 0224993  
salesnl@pentair.com

**NORGE**

Tel. +47 66 81 79 90  
Fax +47 66 80 83 92  
salesno@pentair.com

**ÖSTERREICH**

Tel. 0800 297410  
Fax 0800 297409  
info-ptm-at@pentair.com

**POLSKA**

Tel. +48 22 331 29 50  
Fax +48 22 331 29 51  
salespl@pentair.com

**REPUBLIC OF KAZAKHSTAN**

Tel. +7 495 926 18 85  
Fax +7 495 926 18 86  
saleskz@pentair.com

**РОССИЯ**

Тел. +7 495 926 18 85  
Факс +7 495 926 18 86  
salesru@pentair.com

**SERBIA AND MONTENEGRO**

Tel. +381 230 401 770  
Fax +381 230 401 770  
salesee@pentair.com

**SCHWEIZ / SUISSE**

Tel. 0800 551308  
Fax 0800 551309  
info-ptm-ch@pentair.com

**SUOMI**

Puh. 0800 11 67 99  
Telekopio 0800 11 86 74  
salesfi@pentair.com

**SVERIGE**

Tel. +46 31 335 58 00  
Fax +46 31 335 58 99  
salesse@pentair.com

**TÜRKIYE**

Tel. +90 530 977 64 67  
Fax +32 16 21 36 04  
ptm-sales-tr@pentair.com

**UNITED KINGDOM**

Tel. 0800 969013  
Fax 0800 968624  
salesthermaluk@pentair.com



[WWW.PENTAIRTHERMAL.COM](http://WWW.PENTAIRTHERMAL.COM)

All Pentair trademarks and logos are owned by Pentair or its global affiliates. Pentair reserves the right to change specifications without prior notice.

© 2013 Pentair.